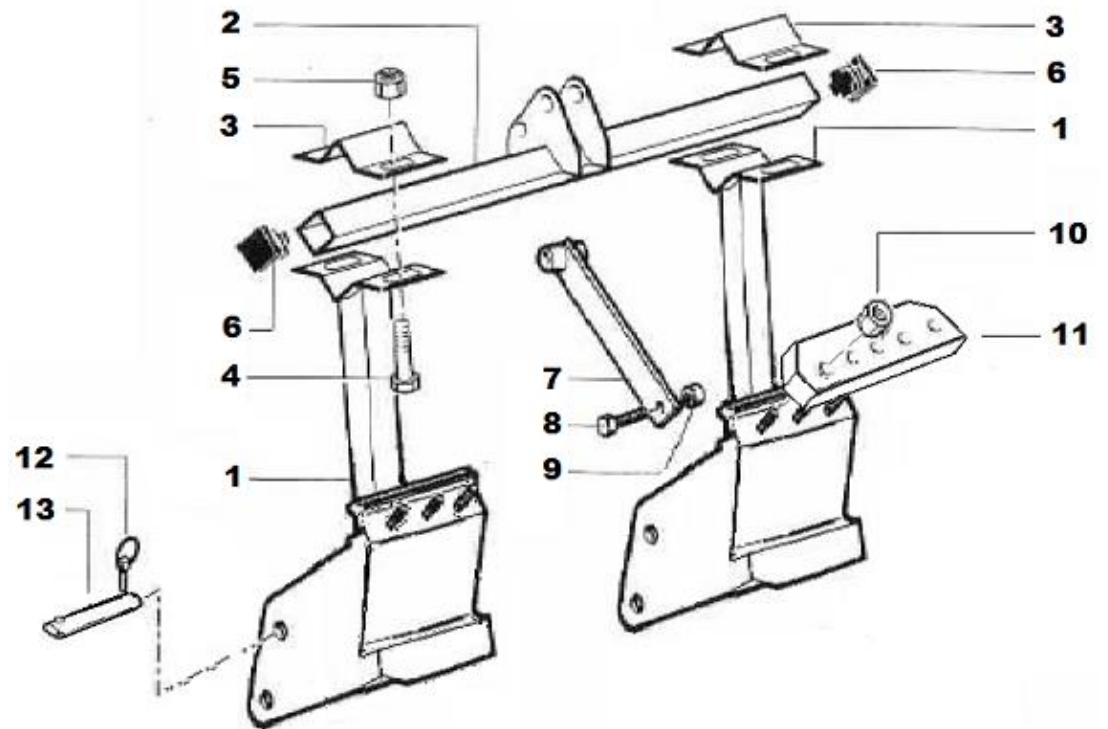
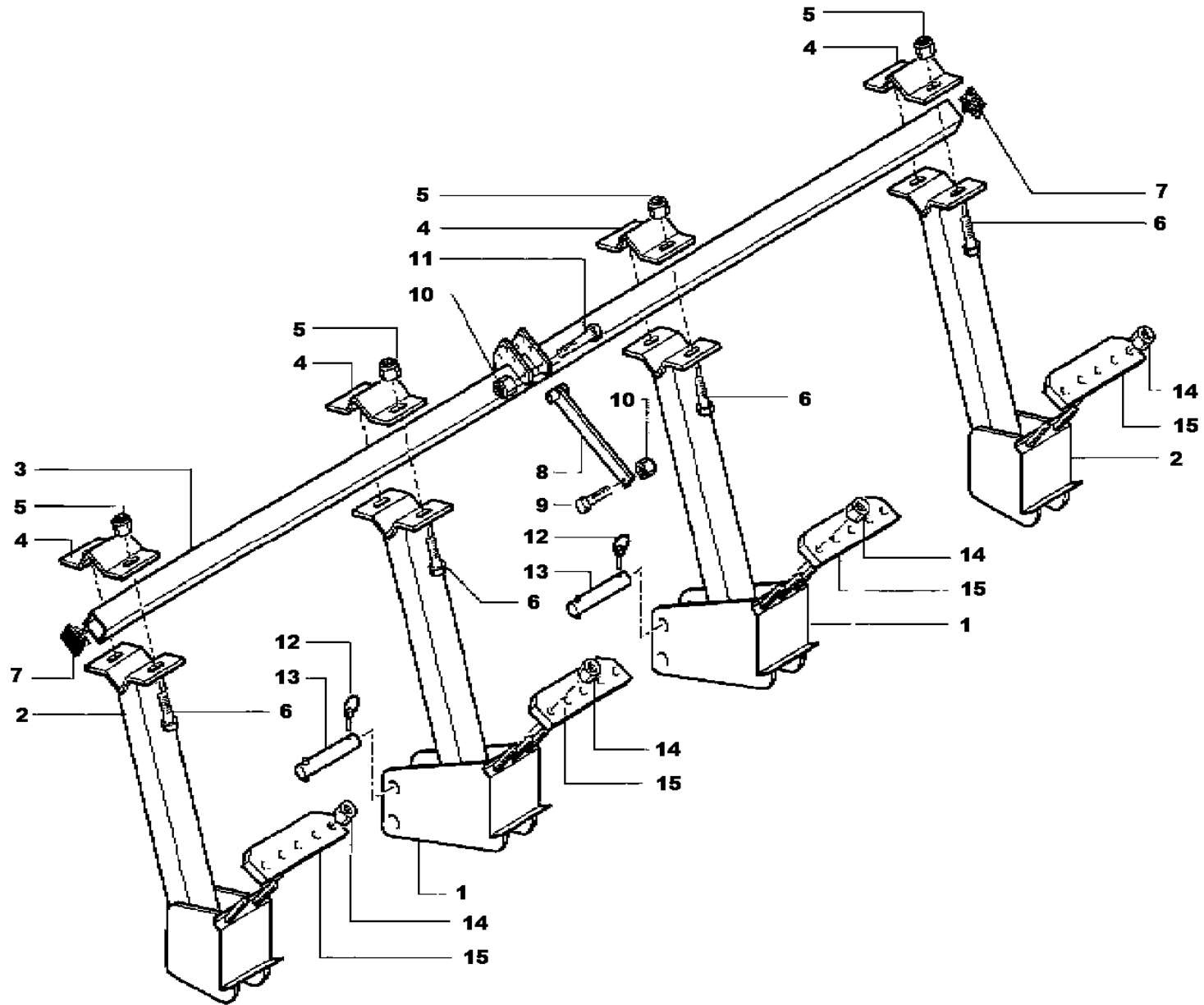


No	Part Number	Qty	Description
1	M420610060	2	Center Upright
2	M420610074	1	3-point Mini Top Tube
3	M350770012	2	Tube Clamp Plate
4	M103150128	4	Bolt M16 x 55 Plated
5	M103040072	4	M16 Locknut
6	M103120007	2	Tube Plug
7	M420680015	1	Tie Rod for Hitch
8	M103150098	1	Bolt M14 x 35 Plated
9	M103040070	1	M14 Locknut
10	M103040034	6	Nut M16 x 2.00
11	M330770006	2	5 Hole Clamp Plate
12	M101070002	2	Lynch Pin
13	M310560015	2	Hitch Pin Cat I



**FP/FPSR 3 POINT HOOK UP**  
**90" FRAMES AND NARROWER**



## **FP/FPSR 3-POINT HOOK UP**

***132" FRAMES AND WIDER\****

**\*240" FRAME NOT PICTURED**

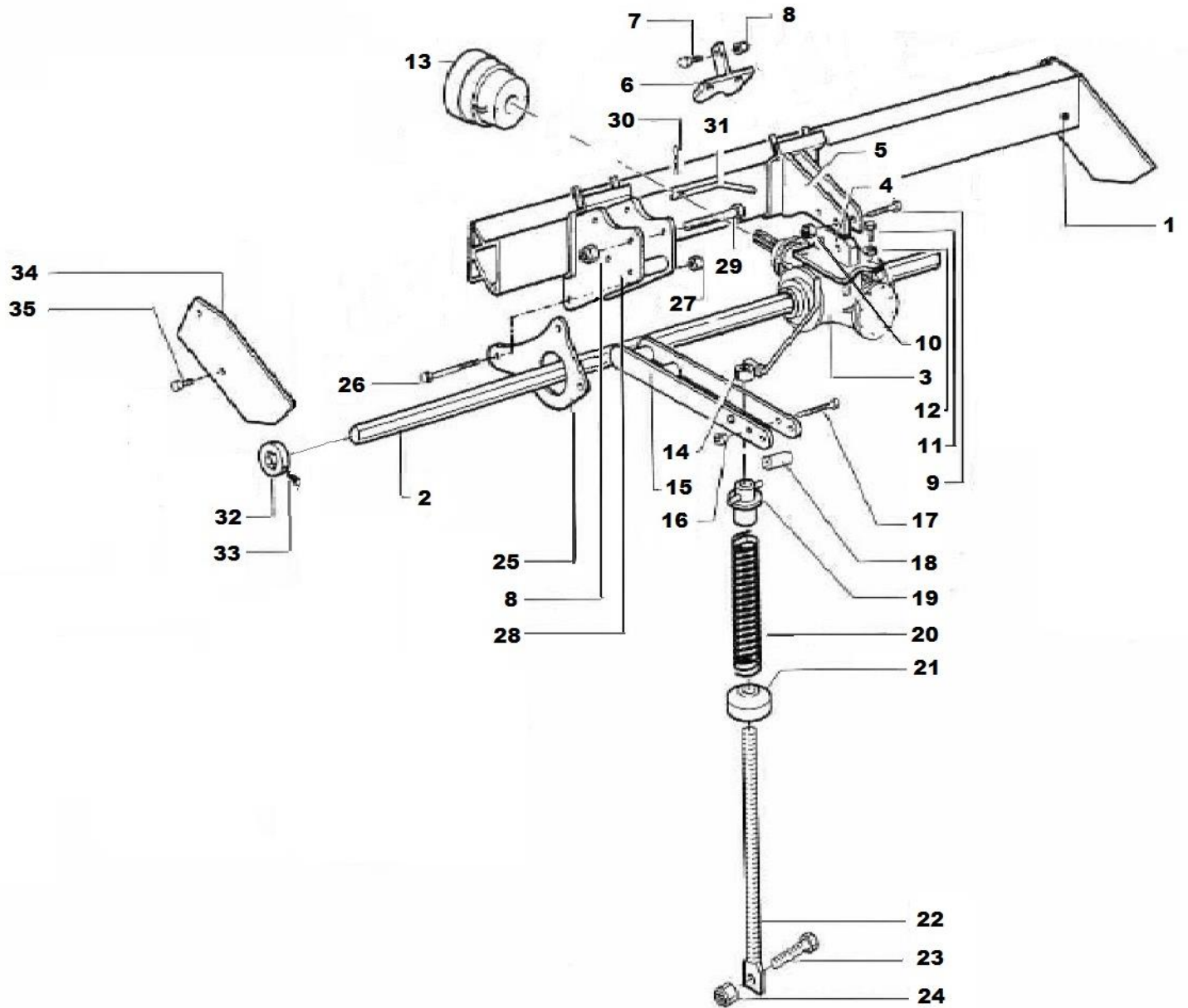
# FP/FPSR 3 POINT HOOK UP

**132" FRAMES AND WIDER**

\*See picture below for details

No	Part Number	Qty	Description	
1	M420610060.01	2	Reinforced Center Upright	
2	M420610059	2	Outer Upright	132" – 192" Frame
		4	Outer Upright	240" Frame
3	M420610061	1	3-Point Wide Top Tube	132" – 192" Frame
	M420610061.01	1	3-Point X -Wide Top Tube	240" Frame
4	M350770012	4	Tube Clamp Plate	132" – 192" Frame
		6	Tube Clamp Plate	240" Frame
5	M103040072	8	M16 Locknut	132" – 192" Frame
		12	M16 Locknut	240" Frame
6	M103150128	8	Bolt M16 x 55 Plated	
	M103150131	12	Bolt M16 x 80 Plated	
7	M103120007	2	Tube Plug	
8*	M420680015	1	Tie Rod for Hitch	132" Frame
	M420680046	1	Reinforced Tie Rod for Hitch	180" – 192" Frame
	M420680046.01	1	Long Reinforced Tie Rod for Hitch	240" Frame
9	M103150098	1	Bolt M14 x 35 Plated	
10	M103040070	2	M14 Locknut	
11	M103150109	1	Bolt M14 x 100 Plated	
12	M101070002	2	Lynch Pin	
13	M320560016	2	Hitch Pin Cat II	
14	M103040034	10	Nut M16 x 2.00	132" – 192" Frame
		14	Nut M16 x 2.00	240" Frame
15	M330770006	2	5 Hole Clamp Plate	





# FPSR FRAME

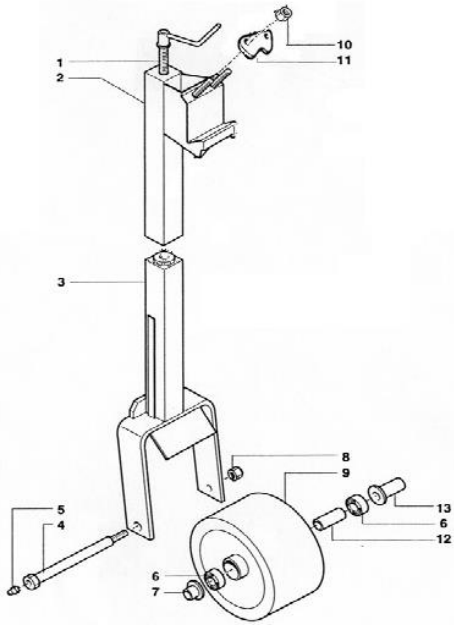
***\* 240" FRAME ASSEMBLY NOT SHOWN***

## FPSR FRAME

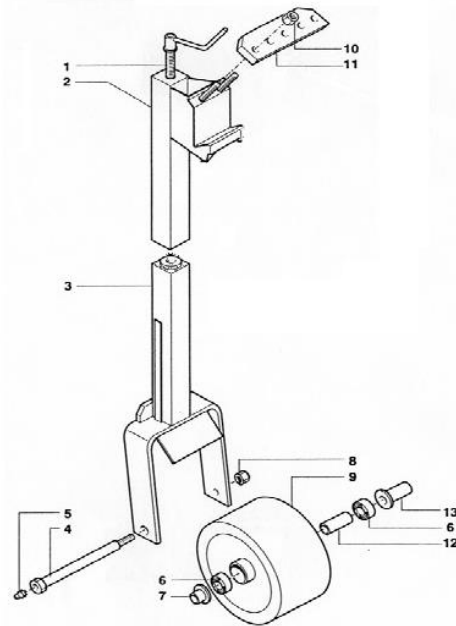
No	Part Number	Qty	Description
1	M420650009	1	66" Toolbar
	M420650011	1	90" Toolbar
	M420650128	(1)	90" Reinforced Toolbar (optional)
	M420650015	1	132" Toolbar
	M420650130	1	180" Toolbar
	M420650131	1	192" Toolbar
	M420650148	1	240" Toolbar
2	M320080031	1	66"; 51mm Hex Bar
	M320080032	1	90"; 51mm Hex Bar
	M320080033	1	132"; 51mm Hex Bar
	M320080034	1	180"; 51mm Hex Bar
	M320080037	1	192"; 51mm Hex Bar
3	M112050050	1	FPSR 50mm 540 RPM Gearbox; TB22C
	M112050051.02	1	FPSR 50mm 1,000 RPM Gearbox; R115
4	M420610010	1	Lower Support Bracket
5	M420610009	1	Upper Gearbox Support Bracket
6	M420600002	1	T-Clamp Plate
7	M103150109	1	Bolt M14 x 100 Plated
8	M103040070	1 + X	M14 Locknut
9	M103150081	2	Bolt M12 x 60 Plated
10	M103040068	2	M12 Locknut
11	M103150120	4	Bolt M16 x 25 Plated
12	M103100040	4	M16 Shakeproof Washer
13	M101010002	1	PTO Guard at Gearbox
14	M520130003	X	Handle With Nut
15	M420090002	X	Support Arm
16	M103040014	X	M10 Nut
17	M103150055	X	Bolt M10 x 90 Plated
18	M320210006	X	Spacer
19	M420490003	X	Spring Guide
20	M320470004	X	Spring Coil
21	M420120003	X	Spring Collar
22	M320820006	X	Threaded Rod
23	M103150044	X	Bolt M10 x 30 Plated
24	M103040066	X	M10 Locknut
25	M320570022	X	Chaincase Mounting Plate
26	M103150135	X	Bolt M16 x 140 Plated
27	M103040034	X	M16 Nut x 2.00
28	M420040002	X	Head Stock
29	M103150112	X	Bolt M14 x 110
30	M101020002	X	Pin Clip
31	M320410002	X	Pin
32	M320020004	2	Locking Ring 50mm
33	M103150034	2	Bolt M10 x 20
34	M320620006	2	Guard Plate
35	M103150066	4	Bolt M12 x 20 Plated
*	M320320011	2*	50mm Hex Bar Coupler (Not Shown)

*240" Hex Bar Consists of	
2 - M320080031 – 66" Hex Bar	
1 - M320080034 – 180" Hex Bar	
2 – M320320011 – 50mm coupler	
<b>M520120019</b> Gearbox Mounting Kit	<b>M520120012</b> FPSR Gearbox with mounting bracket
<b>M520120019.01</b> Gearbox Mounting Kit for 1,000 RPM	

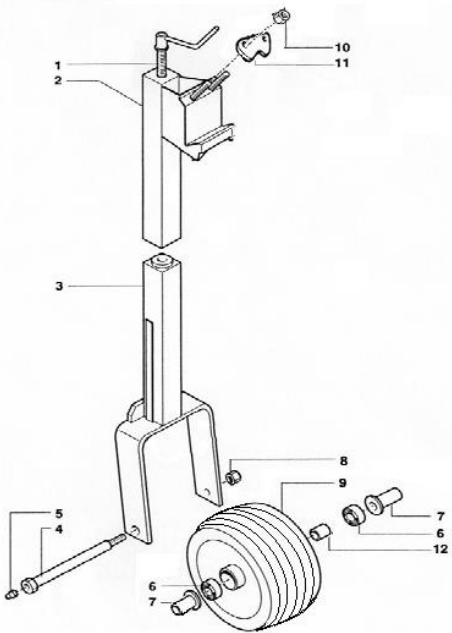
"X" is equal to the number of heads on the toolbar. So if there are 2 heads then X=2



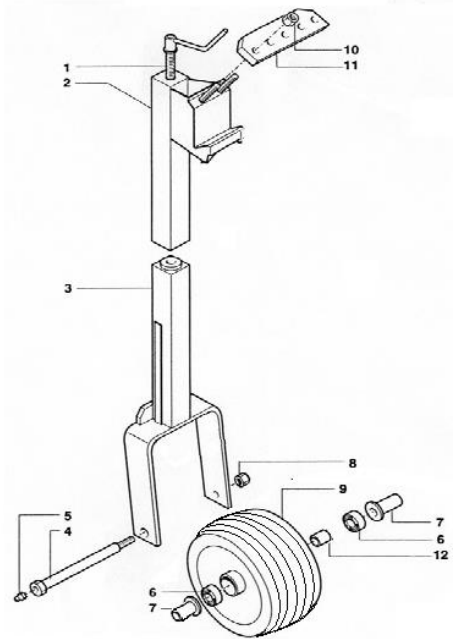
**FPSR**



**FPSRXA**



**FPSR PNEUMATIC**



**FPSRXA PNEUMATIC**

**FPSR  
M520250014**

No	Part Number	Qty	Description
1	M500130004	1	Screw with handle
2	M420610086	1	Upper support
3	M420610088	1	Lower support
4	M320560030	1	Axle
5	M103090002	1	Grease zerk
6	M104010002	2	Bearing 6205Z
7	M420220010	1	Spacer
8	M103040072	1	Locknut M16
9	M420520002	1	Steel Tire (HD)
10	M103040034	2	Nut M16
11	M320770004	1	Clamp plate
12	M320210007	1	Spacer
13	M420220009	1	Spacer

**FPSRXA  
M520250015**

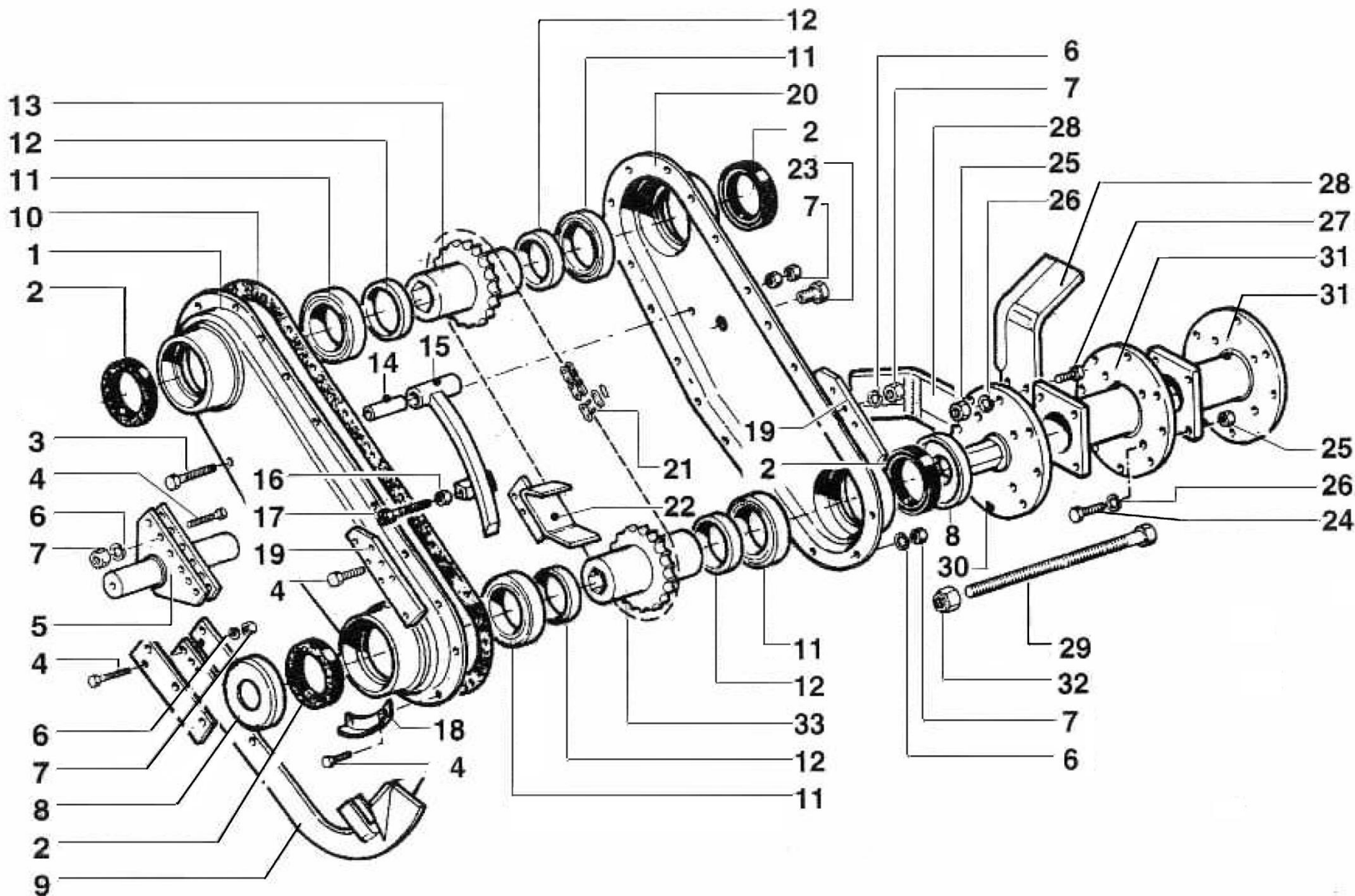
No	Part Number	Qty	Description
1	M520130005	1	Screw with handle
2	M420610087	1	Upper support
3	M420610089	1	Lower support
4	M320560030	1	Axle
5	M103090002	1	Grease zerk
6	M104010002	2	Bearing 6205Z
7	M420220010	1	Spacer
8	M103040072	1	Locknut M16
9	M420520002	1	Steel Tire (HD)
10	M103040034	2	Nut M16
11	M330770006	1	5 Hole Clamp plate
12	M320210007	1	Spacer
13	M420220009	1	Spacer

**FPSR PNEUMATIC  
M520250014.01**

No	Part Number	Qty	Description
1	M500130004	1	Screw with handle
2	M420610086	1	Upper support
3	M420610088.01	1	Lower support
4	M320560030	1	Axle
5	M103090002	1	Grease zerk
6	S600602	2	Bearing 6205-RS
7	M420220009	2	Spacer
8	M103040072	1	Locknut M16
9	M101050013	1	Rubber Tire
10	M103040034	2	Nut M16
11	M320770004	1	Clamp plate
12	S200415	1	Spacer

**FPSRXA PNEUMATIC  
M520250014.02**

No	Part Number	Qty	Description
1	M520130005	1	Screw with handle
2	M420610087	1	Upper support
3	M420610088.02	1	Lower support
4	M320560030	1	Axle
5	M103090002	1	Grease zerk
6	S600602	2	Bearing 6205-RS
7	M420220009	2	Spacer
8	M103040072	1	Locknut M16
9	M101050013	1	Rubber Tire
10	M103040034	2	Nut M16
11	M330770006	1	5 Hole Clamp plate
12	S200415	1	Spacer



**FPSR CHAINCASE ASSEMBLY**



# FPSR CHAINCASE ASSEMBLY

No	Part Number	Qty	Description
1	M420554008	1	Chaincase Half; Left / FPSR ~28"
	M420554010	1	Chaincase Half; Left / FPSRXA ~39"
2	M109040022	4	Oilseal 95 x 70 x 13
3	M103140034	1	Bolt M8 x 70
4	M103140026	10	Bolt M8 x 30
5	M420610008	1	Front Shield Support / FPSR
	M420610034	1	Front Shield Support / FPSRXA
6	M103100006	13	Washer M8
7	M103040064	23	Locknut M8
8	M320550004	2	Bottom Rotor Dust Cover
9	M420590003	1	Depth Skid FPSR
10	M320330003	1	Chaincase Gasket FPSR
	M320330005	1	Chaincase Gasket FPSRXA
11	M104010016	4	Bearing 6014
12	M320210031	4	Spacer
13	M320600006	1	Top Sprocket; 50mm
14	M320090009	1	Bushing
15	M420660011	1	Chain Tensioner FPSR
	M420660005	1	Chain Tensioner FPSRXA
16	M103040014	1	Nut M10
17	M103150200	1	Bolt M10 x 70 Full Thread
18	M320620050	2	Skid Protector
19	M320580002	2	Rear Shield Support FPSR
	M320580088	2	Rear Shield Support FPSRXA
20	M420552008	1	Chaincase Half; Right / FPSR ~28"
	M420552010	1	Chaincase Half; Right / FPSRXA ~39"
21	M112020034.01	1	Chain 1-¼" x 42 Pitch ASA 100 / FPSR
	M112020030.01	1	Chain 1-¼" x 60 Pitch ASA 100 / FPSRXA
22	M420030002	1	Rear Shield Support
23	M320800001	1	Fill Plug
24	M103140077	(8 * X)	Bolt M12 x 40x1.25 - 10.9
25	M103040024	16 + (12 * X)	Nut M12 x 1.25
26	M103100026	16 + (12 * X)	Lock Washer M12
27	M103140074	16 + (8 * X)	Bolt M12 x 35 x 1.25 - 10.9

No	Part Number	Qty	Description
28	M111434-R	2	Standard Right Hand Blade FPSR
	M111434-L	2	Standard Left Hand Blade FPSR
	M111434C-R	(2)	Long Right Hand Blade FPSR (optional)
	M111434C-L	(2)	Long Left Hand Blade FPSR (optional)
29	M420680006	1	Drawbolt 11" Nominal Length/ FPSR
30	M420370011	2	Drive Flange FPSR
31	M420220004	X	Outer Flange FPSR
32	M103040078	1	Locknut M20 x 1.5
33	M320600007	1	Bottom Sprocket; 50mm FPSR
	M320600008	1	Bottom Sprocket; 50mm FPSRXA

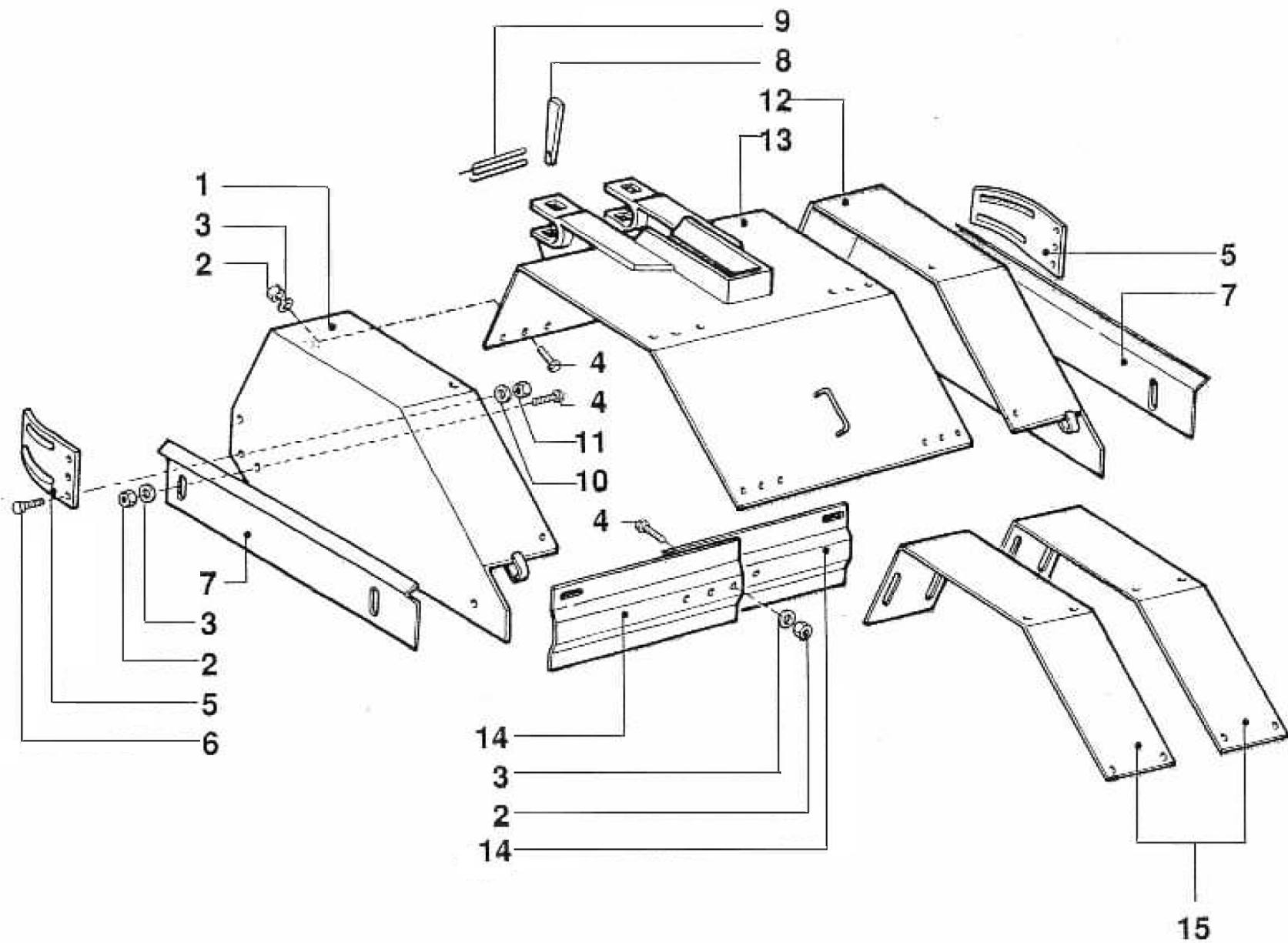
M520040012	Drive Case Assembly FPSR
M520040019	Drive Case Assembly FPSRXA

## Head Assemblies With Blades And Shields

12"-16"	M520070055	FPSR Head Assembly with Blades and Shields
	M520070079	FPSRXA Head Assembly with Blades and Shields
18"-22"	M520070056	FPSR Head Assembly with Blades and Shields
	M520070080	FPSRXA Head Assembly with Blades and Shields
24"-32"	M520070058	FPSR Head Assembly with Blades and Shields
	M520070144	FPSRXA Head Assembly with Blades and Shields

"X" is equal to the number of Outer Flanges (M420370011). So with one outer flange on either side, X = 2.

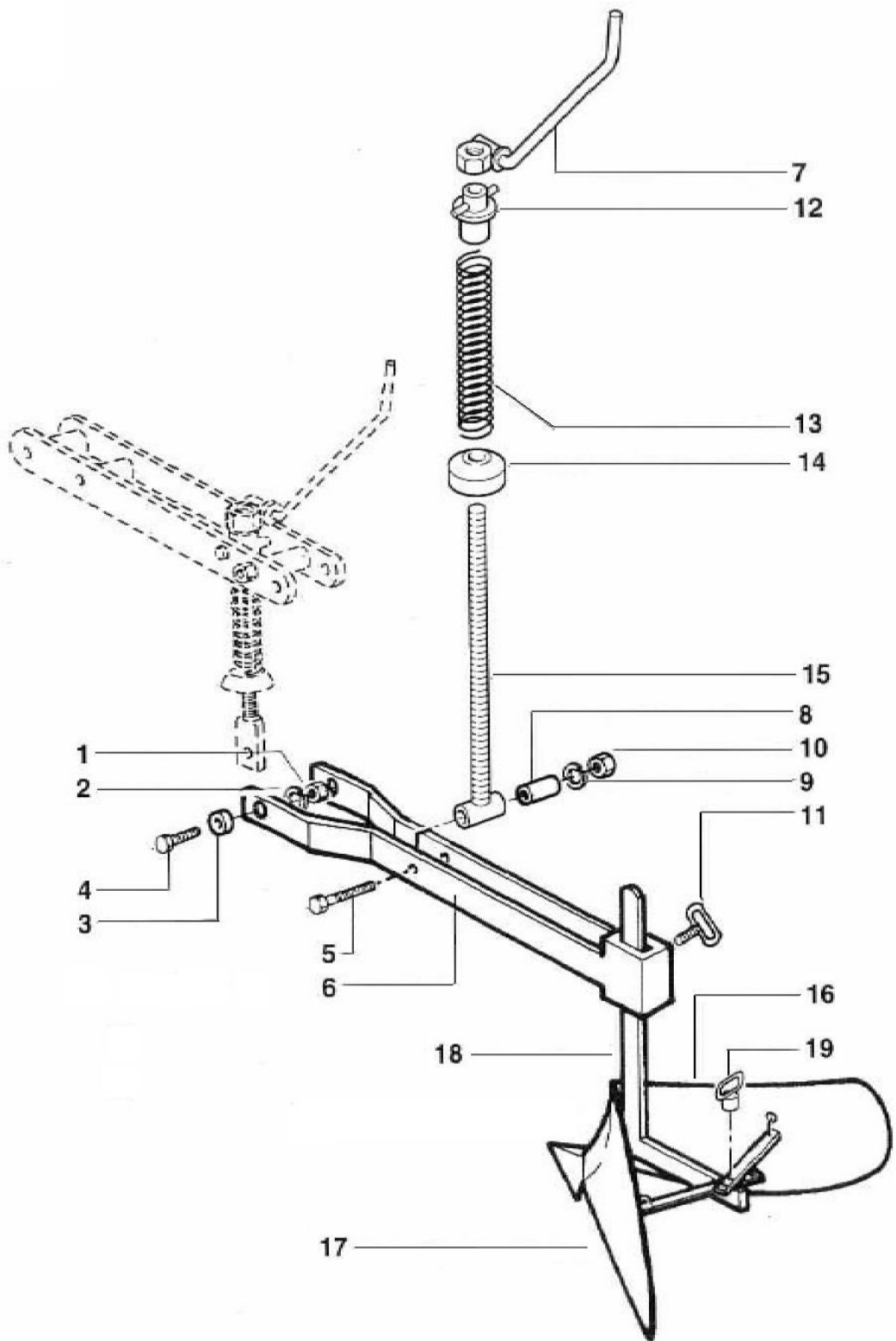
<b>M200058</b>	<b>M200056</b>
Blade Bolt Assembly	Flange Bolt Assembly



**FPSR SHIELD ASSEMBLY**

## FPSR SHIELD ASSEMBLY

No	Part Number	Qty	Description	
1	M520164004	1	Left Narrow Side Shield Assembly (2.5" Wide)	Includes Side Shield Protector, Plant Guard, and hardware
	M520164005	1	Left Medium Side Shield Assembly (4.5" Wide)	
	M520164006	1	Left Wide Side Shield Assembly (6.5" Wide)	
2	M103040014	11	Nut M10	
3	M103100008	11	Washer M10	
4	M103150034	11	Bolt M10 x 20 Plated	
5	M300620001	2	Plant Guard	
6	M103150005	4	Bolt M8 x 16 Plated	
7	M320620016	2	Side Shield Protector	
8	M300740001	2	Wedge Pin	
9	M300470018	2	Spring Wire Clip	
10	M103100006	4	Washer M8 Plated	
11	M103040008	4	Nut M8	
12	M520162004	1	Right Narrow Side Shield Assembly (2.5" Wide)	Includes Side Shield Protector, Plant Guard, and hardware
	M520162005	1	Right Medium Side Shield Assembly (4.5" Wide)	
	M520162006	1	Right Wide Side Shield Assembly (6.5" Wide)	
13	M420160005	1	Center Shield for 12"-16" Heads (9- $\frac{3}{4}$ " Wide)	
	M420160006	1	Center Shield for 18"-22" Heads (15- $\frac{3}{4}$ " Wide)	
	M420160007	1	Center Shield for 24"-32" Heads (21- $\frac{3}{4}$ " Wide)	
14	M320624036	2	Half Trailing Board 12"-16" Heads (8- $\frac{3}{4}$ " Wide)	
	M320624038	2	Half Trailing Board 18"-22" Heads (11- $\frac{3}{4}$ " Wide)	
	M320624040	2	Half Trailing Board 24"-32" Heads (16- $\frac{5}{8}$ " Wide)	
15	M320070003	1	Extension Shield for Heads > 32"; (optional)	
	M520050008	1	Shield Set Complete for 12"-16" Heads	Contains everything above <i>except</i> for Extension Shields
	M520050009	1	Shield Set Complete for 18"-22" Heads	
	M520050010	1	Shield Set Complete for 24"-32" Heads	



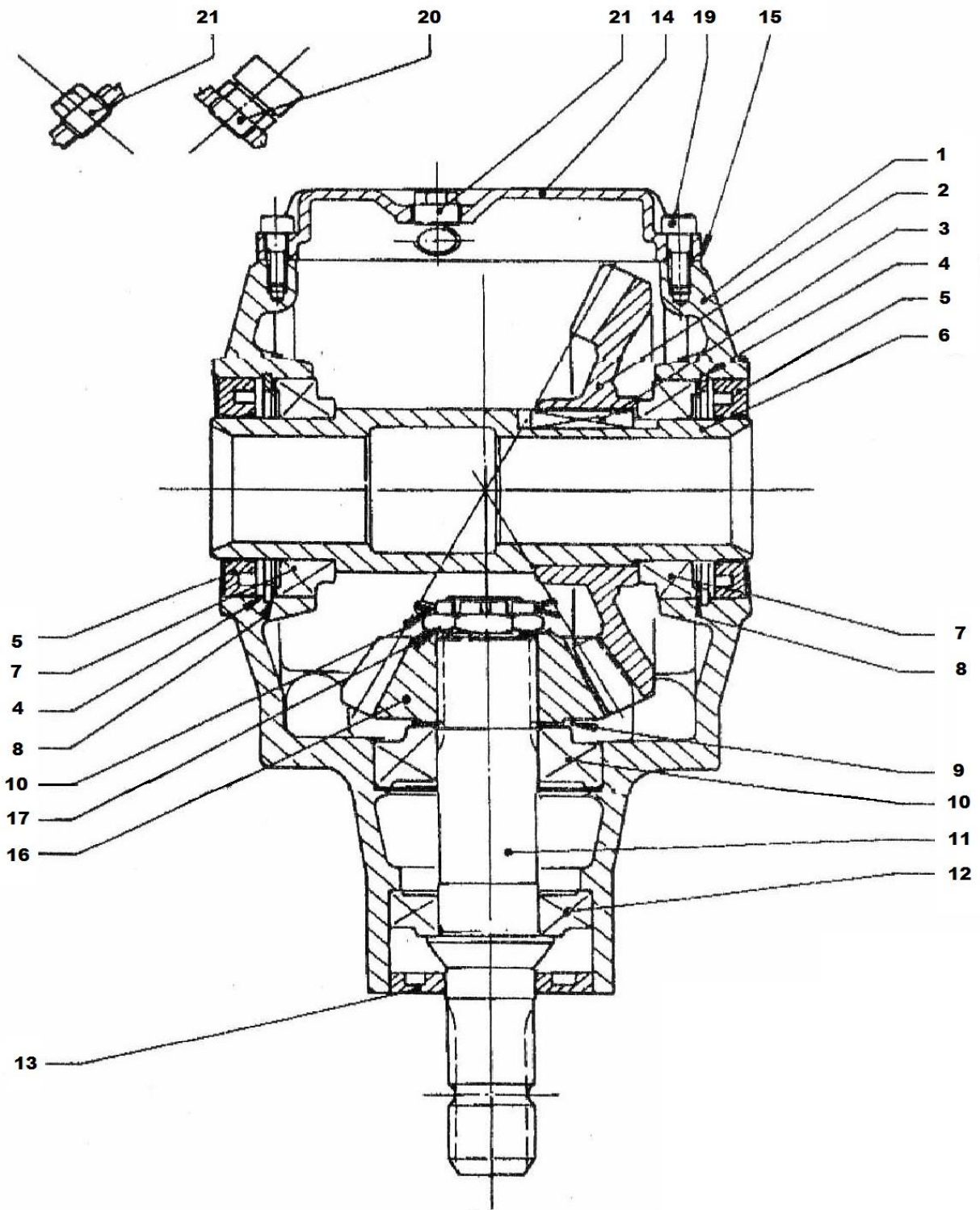
**FPSR RIDGER ASSEMBLY**

## FPSR RIDGER ASSEMBLY

No	Part Number	Qty	Description
1	M103040022	2	Nut M12
2	M103100010	2	Washer M12
3	M330090002	2	Bushing
4	M103150072	2	Bolt M12 x 35 x 1.75 Plated
5	M103150090	1	Bolt M12 x 90 x 1.75 Plated
6	M440090006	1	Ridger Bracket Arm / FPSR
	M440090008	1	Ridger Bracket Arm / FPSRXA
7	M520130003	1	Handle with Nut
8	M320210012	1	Spacer
9	M103100010	1	Washer M12
10	M103040022	1	Nut M10
11	M440270001	1	Ridger Bolt
12	M420490003	1	Spring Guide / FPSR
13	M320470004	1	Spring Coil / FPSR
14	M420120003	1	Spring Collar / FPSR
15	M440680003	1	Threaded Rod / FPSR
	M440680004	1	Threaded Rod / FPSRXA
16	M430022001	1	Right Wing
17	M430024001	1	Left Wing
18	M440340001	1	Center Support
19	M440270002	1	Ridger Nut
	M330590001	1	Weld On Point
	M330030001	1	Weld on Wear Strip
	M330040026	2	Pin for Ridger Spade

	<b>M500230001</b>
	Ridger Spade
Not Shown	

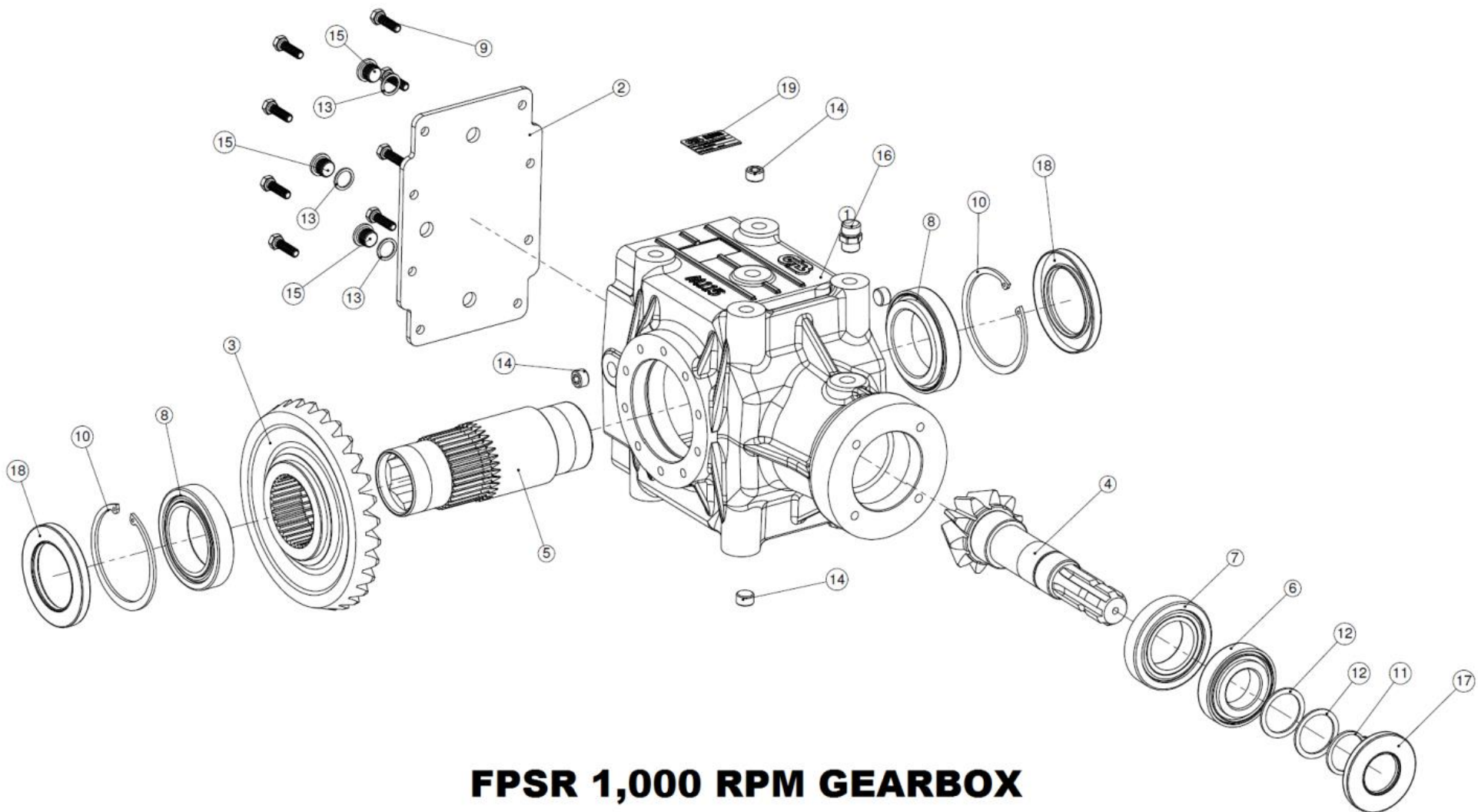
M540230008	Ridger Assembly / FPSR	Contains everything shown above
M540230010	Ridger Assembly / FPSRXA	



**FPSR 540 RPM Gearbox**

## FPSR 540 RPM GEARBOX

No	Part Number	Qty	Description
1	M02620301	1	Gearbox Housing
2	M02626003	1	Crownwheel 29 Teeth
3	M84100978	1	Key 14 x 9 x 40
4	M85200123	2	Snapping Internal 100mm
5	M87300948	2	Oilseal 100 x 65 x 10
6	M02623001	1	Hex Sleeve 50mm
7	M80900976	2	Bearing 32013
8	M07037500	2	Shim
9	M02447500	1	Shim
10	M80900128	1	Bearing 30308
11	M02622000	1	Input Shaft
12	M80900024	1	Bearing 30208
13	M87300027	1	Oilseal 80 x 40 x 10
14	M82500064	1	Ring Nut M40 x 1.5
15	M83800065	1	Tab Washer 40 x 62 x1.25
16	M02625000	1	Pinion Gear 15 Teeth
17	M02597525	1	Shim
18	M82500917	1	Ring Nut M35 x 1.5
19	M81200197	6	Bolt M8 x 25 (Socket Head)
20	M86700269	1	Breather Plug
21	M86500203	2	Plug
22	M02621302	1	Rear Cover

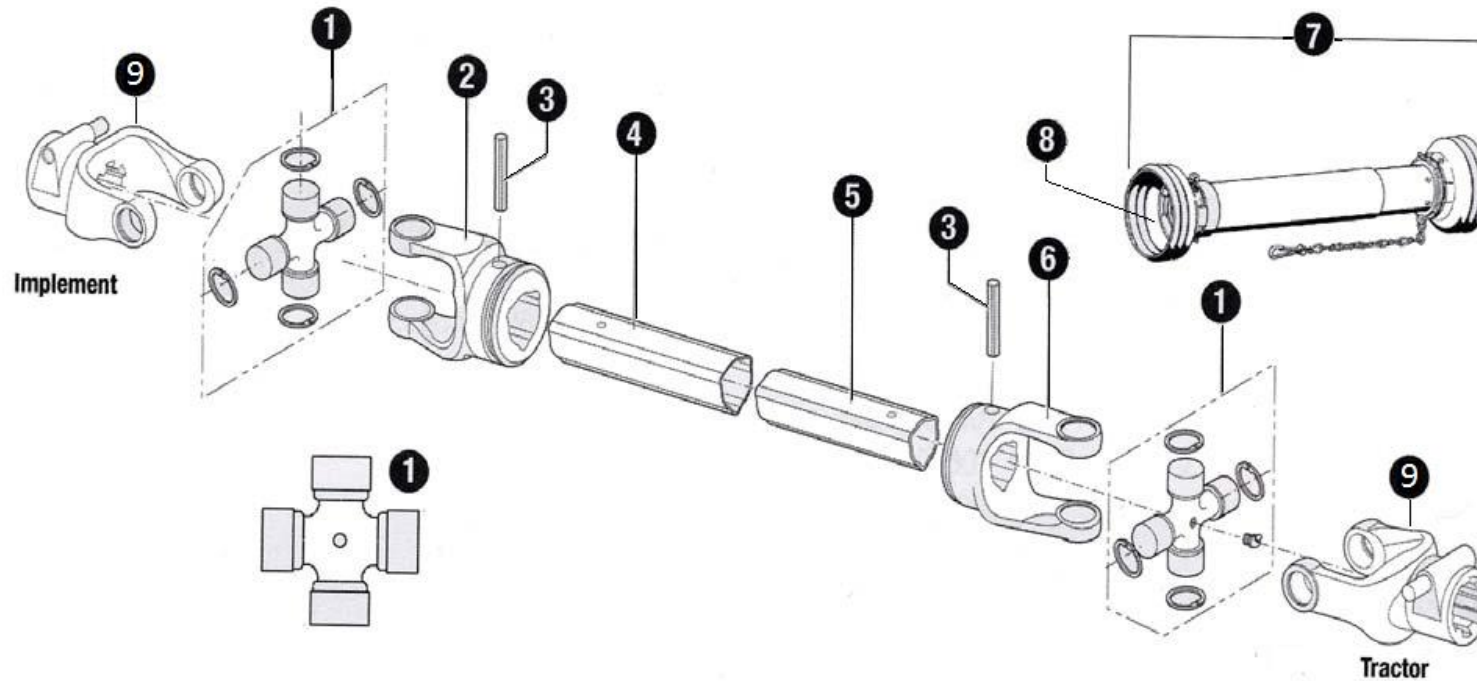


**FPSR 1,000 RPM GEARBOX**



## FPSR 1,000 RPM GEARBOX

No	Part Number	Qty	Description
1	M01105LF006	1	Gearbox housing
2	M0210500405	1	Back Cover
3	M03106300C0	1	Crownwheel 30 Teeth
4	M04105300P1	1	Input Shaft
5	M0510600200	1	Sleeve 50mm
6	M80900024	1	Bearing 30208
7	M80900469	1	Bearing 30210
8	M80900469	2	Bearing 32013
9	M103140026	8	Bolt M8 x 30 10.9
10		2	Internal Snpring UNI 7437 - 100
11		1	External Snpring UNI7436 - 40
12		2	Shim DIN 988 40 x 50 x 2
13		3	Copper Gasket 3/8" plug
14		4	3/8" Oil Cap DIN 906 Zinc
15		3	3/8" Oil Cap DIN 908 Galvanized
16		1	3/8" Tapered Breather Valve; Brass
17		1	Oilseal 40 x 80 x 8
18		2	Oilseal 65 x 100 x 10
19		1	ID Plate



PTO SHAFT ASSEMBLY 66" – 192" FRAMES			
No	Part Number	Qty	Description
1	200-8692	2	Cross and bearing kit
2	700-6654	1	Yoke-outer tube
3	508-1040	2	Roll pin
4	600-6654	1	Outer tube
5	400-6545	1	Inner tube
6	300-6645	1	Yoke-inner tube
7	902-3548	1	Complete PTO guard
8	961-3567	1	Guard Bearing Kit
9	102-8606*	2	Yoke 540 RPM
	560-8606†	1	Slip Clutch†

14106654	PTO Assembly with Slip Clutch	Contains everything listed above
----------	-------------------------------	----------------------------------

\*Replaceable with 807-8606 (clamp yoke) for Implement end only

† Cannot order individual parts; Order entire clutch

PTO SHAFT ASSEMBLY 240" FRAMES			
No	Part Number	Qty	Description
1	200-6806	2	Cross and bearing kit
2	700-6863	1	Yoke-outer tube
3	508-1280	2	Roll pin
4	600-6863	1	Outer tube
5	600-6654	1	Inner tube
6	300-6854	1	Yoke-inner tube
7	900-4548	1	Complete PTO guard
8	961-4589	1	Guard Bearing Kit
9	102-6806*	2	Yoke 540 RPM
	563-6806†	1	Slip Clutch†

14106840	PTO Assembly with Slip Clutch	Contains everything listed above
----------	-------------------------------	----------------------------------

\*Replaceable with 807-6806 (clamp yoke) for Implement end only

† Cannot order individual parts; Order entire clutch